



LENTO INDUSTRIES

FLOOD LIGHT

LED Flood Light 100W to 350W



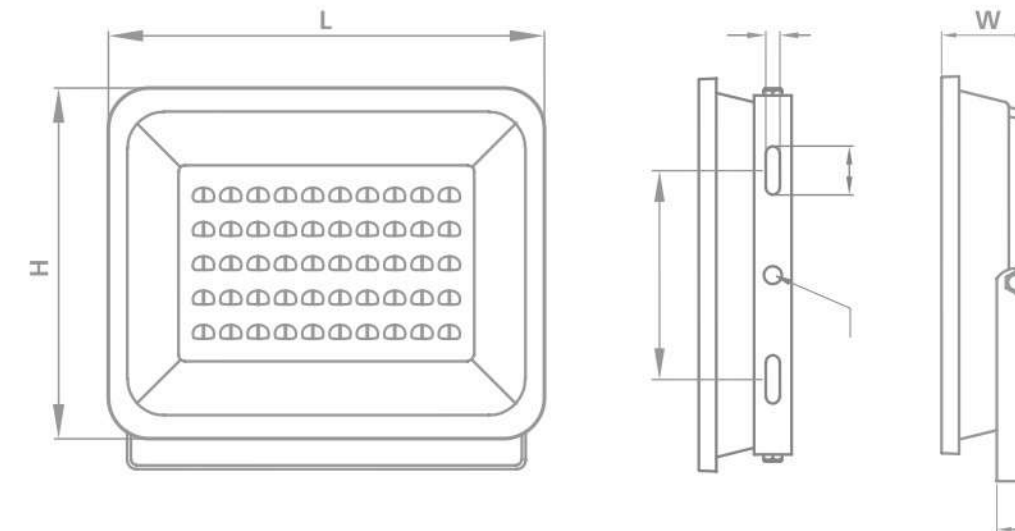
Special Features

- Housing** : High grade Aluminium pressure die-cast.
 - Lamp Efficacy** : LED with more than 120 lm/w.
 - Optics** : Wide beam angle of LED & desired spread using reflector & high quality lenses.
 - Thermal** : Efficiently heat dissipation using high Conductive Compound & Housing.
 - Protections** : Under Voltage, Over Voltage, Surge protection up to 4KV, Isolation up to 1.5KV, Open loop & short circuit.
 - Ingress Protection** : IP66
 - Energy Saving** : Up to 60% compare to Conventional Flood Light.
- Fixture & LED Lamp conform to LM79 & LM80 respectively.

Applications

- City Roads / Highways
- Periphery / Security Lighting
- Industry & Office Campuses
- Parking Areas
- Parks & Gardens.

Line Diagram & Dimensions



Wattage	'L' Length	'W' Width	'H' Height
100W	338mm	132mm	252mm
120W	338mm	132mm	252mm
150W	338mm	132mm	252mm
180W	387mm	138mm	300mm
200W	387mm	138mm	300mm



LENTO INDUSTRIES

FLOOD LIGHT

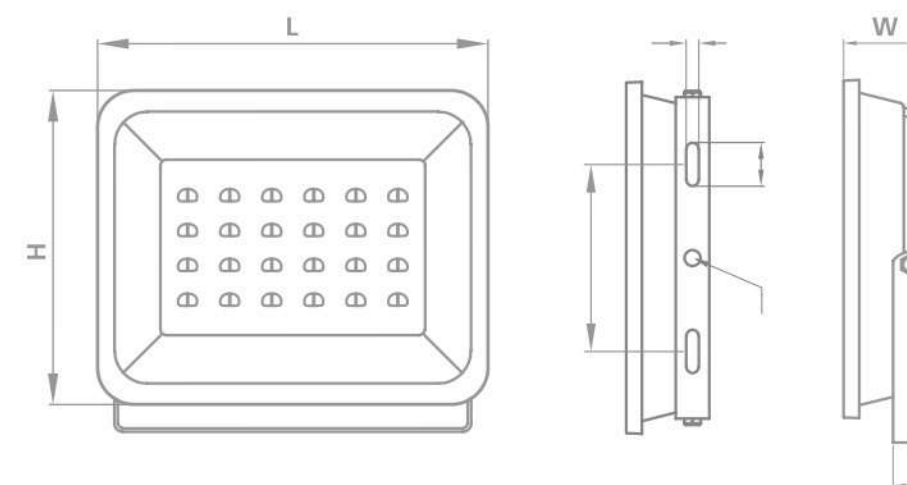
LED Flood Light 100W to 350W



Special Features

- Housing** : High grade Aluminium pressure die-cast.
 - Lamp Efficacy** : LED with more than 120 lm/w.
 - Optics** : Wide beam angle of LED & desired spread using reflector & high quality lenses.
 - Thermal** : Efficiently heat dissipation using high Conductive Compound & Housing.
 - Protections** : Under Voltage, Over Voltage, Surge protection up to 4KV, Isolation up to 1.5KV, Open loop & short circuit.
 - Ingress Protection** : IP66
 - Energy Saving** : Up to 60% compare to Conventional Flood Light.
- Fixture & LED Lamp conform to LM79 & LM80 respectively.

Line Diagram & Dimensions



Wattage	'L' Length	'W' Width	'H' Height
45W	245mm	125mm	185mm
60W	287mm	143mm	237mm
72W	287mm	143mm	237mm
80W	287mm	143mm	237mm
90W	287mm	143mm	237mm

Applications

- City Roads / Highways
- Periphery / Security Lighting
- Industry & Office Campuses
- Parking Areas
- Parks & Gardens.



LENTO INDUSTRIES

FLOOD LIGHT

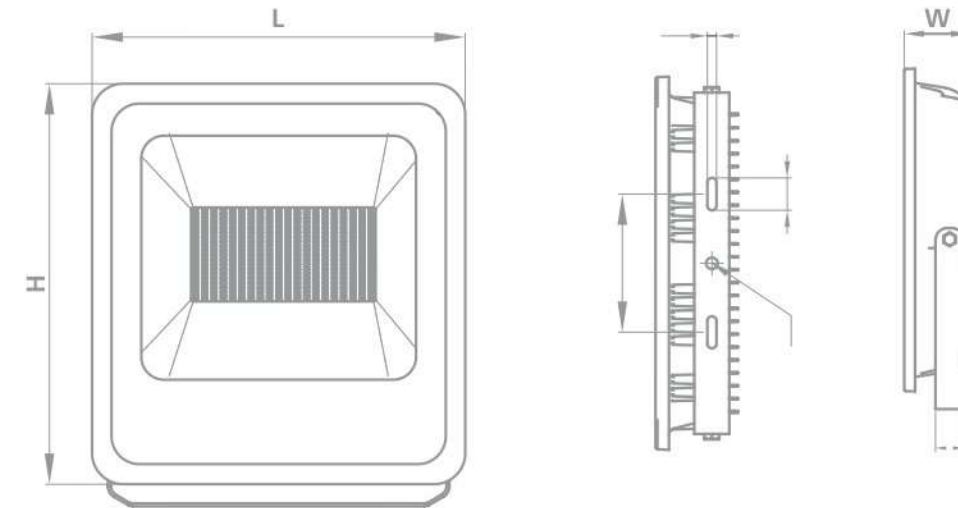
LED Flood Light 100W to 350W



Special Features

- Housing** : High grade Aluminium pressure die-cast.
 - Lamp Efficacy** : LED with more than 120 lm/w.
 - Optics** : Wide beam angle of LED & desired spread using reflector & high quality lenses.
 - Thermal** : Efficiently heat dissipation using high Conductive Compound & Housing.
 - Protections** : Under Voltage, Over Voltage, Surge protection up to 4KV, Isolation up to 1.5KV, Open loop & short circuit.
 - Ingress Protection** : IP66
 - Energy Saving** : Up to 60% compare to Conventional Flood Light.
- Fixture & LED Lamp conform to LM79 & LM80 respectively.

Line Diagram & Dimensions



Wattage	'L' Length	'W' Width	'H' Height
30W	226mm	50.3mm	220mm
60W	282mm	62.22mm	271mm
100W	282mm	78.5mm	302mm
120W	337mm	80mm	365mm
150W	337mm	86mm	367mm

Applications

- City Roads / Highways
- Periphery / Security Lighting
- Industry & Office Campuses
- Parking Areas
- Parks & Gardens.





LENTO INDUSTRIES **FLOOD LIGHT**
LED Flood Light 100W to 350W

Product Code	Wattage	Efficacy	CCT	CRI	IP	IK	PF	THD	Driver Efficiency	Diffuser Type
HPLLEDFL3060P	30W	100 lm/W	5700K±300K	80	IP65	IK-07	0.95	10%	85%	Glass
HPLLEDFL4560P	45W	100 lm/W	5700K±300K	80	IP65	IK-07	0.95	10%	85%	Glass
HPLLEDFL5060P	50W	100 lm/W	5700K±300K	80	IP65	IK-07	0.95	10%	85%	Glass
HPLLEDFL6060P	60W	100 lm/W	5700K±300K	80	IP65	IK-07	0.95	10%	85%	Glass
HPLLEDFL7260P	72W	100 lm/W	5700K±300K	80	IP65	IK-07	0.95	10%	85%	Glass
HPLLEDFL8060P	80W	100 lm/W	5700K±300K	80	IP65	IK-07	0.95	10%	85%	Glass
HPLLEDFL9060P	90W	100 lm/W	5700K±300K	80	IP65	IK-07	0.95	10%	85%	Glass
HPLLEDFL10060P	100W	100 lm/W	5700K±300K	80	IP65	IK-07	0.95	10%	85%	Glass
HPLLEDFL12060P	120W	100 lm/W	5700K±300K	80	IP65	IK-07	0.95	10%	85%	Glass
HPLLEDFL15060P	150W	100 lm/W	5700K±300K	80	IP65	IK-07	0.95	10%	85%	Glass

HPLLEDFL4560S	45W	100 lm/W	5700K±300K	80	IP65	IK-07	0.95	10%	85%	Glass
HPLLEDFL6060S	60W	100 lm/W	5700K±300K	80	IP65	IK-07	0.95	10%	85%	Glass
HPLLEDFL7260S	72W	100 lm/W	5700K±300K	80	IP65	IK-07	0.95	10%	85%	Glass
HPLLEDFL8060S	80W	100 lm/W	5700K±300K	80	IP65	IK-07	0.95	10%	85%	Glass
HPLLEDFL9060S	90W	100 lm/W	5700K±300K	80	IP65	IK-07	0.95	10%	85%	Glass
HPLLEDFL10060S	100W	100 lm/W	5700K±300K	80	IP65	IK-07	0.95	10%	85%	Glass
HPLLEDFL12060S	120W	100 lm/W	5700K±300K	80	IP65	IK-07	0.95	10%	85%	Glass
HPLLEDFL15060S	150W	100 lm/W	5700K±300K	80	IP65	IK-07	0.95	10%	85%	Glass
HPLLEDFL18060S	180W	100 lm/W	5700K±300K	80	IP65	IK-07	0.95	10%	85%	Glass



LENTO INDUSTRIES **FLOOD LIGHT**
LED Flood Light 100W to 350W

Product Code	Wattage	Efficacy	CCT	CRI	IP	IK	PF	THD	Driver Efficiency	Diffuser Type
HPLLEDFL20060S	200W	100 lm/W	5700K±300K	70	IP65	IK-07	0.95	10%	85%	Glass

HPLLEDFL4560D	45W	100 lm/W	5700K±300K	70	IP65	IK-07	0.95	10%	85%	Glass
HPLLEDFL6060D	60W	100 lm/W	5700K±300K	70	IP65	IK-07	0.95	10%	85%	Glass
HPLLEDFL7260D	72W	100 lm/W	5700K±300K	70	IP65	IK-07	0.95	10%	85%	Glass
HPLLEDFL8060D	80W	100 lm/W	5700K±300K	70	IP65	IK-07	0.95	10%	85%	Glass
HPLLEDFL9060D	90W	100 lm/W	5700K±300K	70	IP65	IK-07	0.95	10%	85%	Glass

HPLLEDFL10060D	100W	100 lm/W	5700K±300K	70	IP65	IK-07	0.95	10%	85%	Glass
HPLLEDFL12060D	120W	100 lm/W	5700K±300K	70	IP65	IK-07	0.95	10%	85%	Glass
HPLLEDFL15060D	150W	100 lm/W	5700K±300K	70	IP65	IK-07	0.95	10%	85%	Glass

HPLLEDFL18060D	180W	100 lm/W	5700K±300K	70	IP65	IK-07	0.95	10%	85%	Glass
HPLLEDFL20060D	200W	100 lm/W	5700K±300K	70	IP65	IK-07	0.95	10%	85%	Glass
HPLLEDFL25060D	250W	100 lm/W	5700K±300K	70	IP65	IK-07	0.95	10%	85%	Glass
HPLLEDFL30060D	300W	100 lm/W	5700K±300K	70	IP65	IK-07	0.95	10%	85%	Glass
HPLLEDFL35060D	350W	100 lm/W	5700K±300K	70	IP65	IK-07	0.95	10%	85%	Glass